



SERVICE PARTS LIST

BULLETIN NO.
54-27-2800

SPECIFY CATALOG NO. AND SERIAL NO. WHEN ORDERING PARTS		REVISED BULLETIN	DATE
M18™ Brushless Threaded Rod Cutter			May 2023
CATALOG NO. 2872-20	SERIAL NO. K38A and K38B	WIRING INSTRUCTION SEE PAGE 2	

EXAMPLE:
Component Parts (Small #) Are Included
When Ordering The Assembly (Large #).

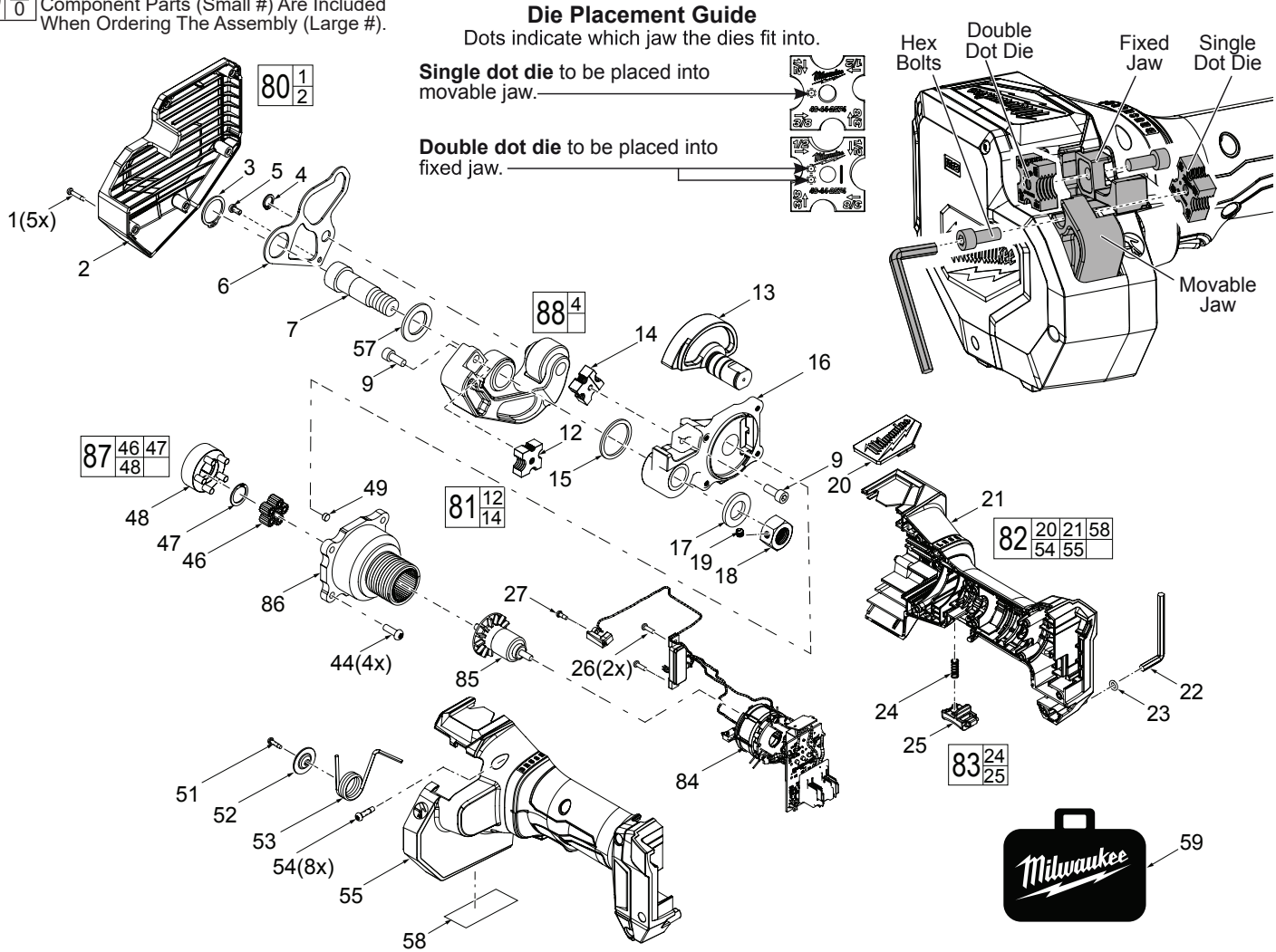
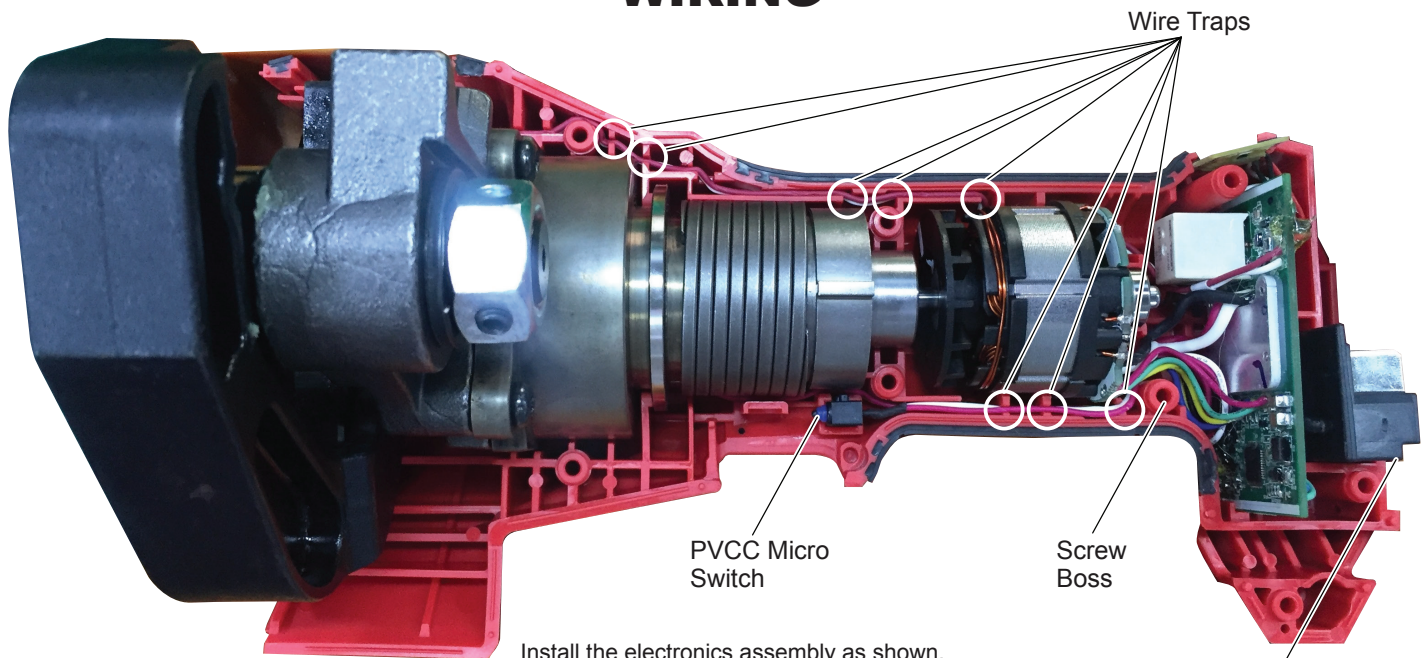
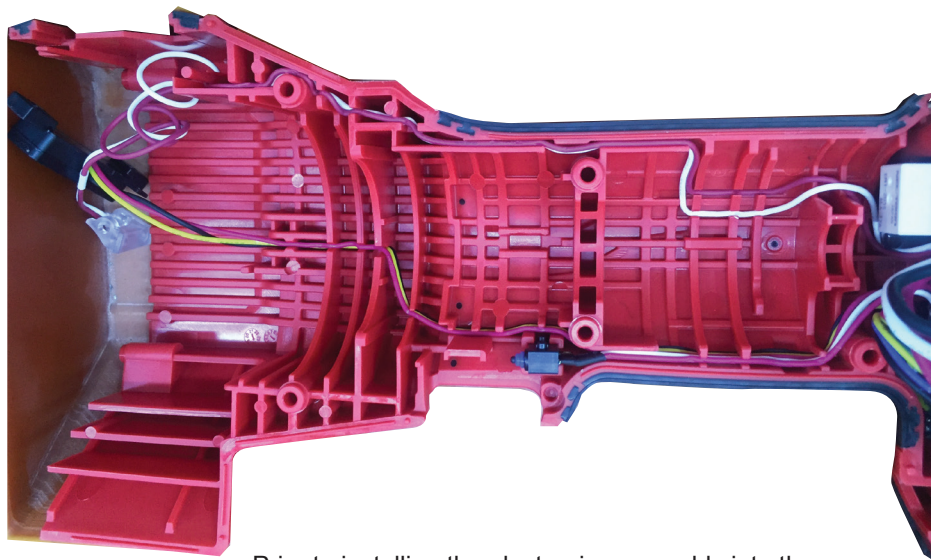


FIG.	PART NO.	DESCRIPTION OF PART	NO. REQ.	FIG.	PART NO.	DESCRIPTION OF PART	NO. REQ.
1	06-82-6350	M3 x 16mm Pan Hd. ST T-10 Screw	(5)	44	06-82-2873	M5 x 15mm Pan Hd. T-25 Mach. Screw	(4)
2	-----	Cover	(1)	46	-----	5th Planet Gear	(5)
3	34-60-2872	Retaining Ring	(1)	47	-----	Retaining Ring	(1)
4	34-60-2873	Retaining Ring	(1)	48	-----	Carrier Cam	(1)
5	06-82-3007	M4 x 8mm Pan Hd. T-20 Mach. Screw	(1)	49	44-26-2872	Magnet	(1)
6	44-66-2872	Guide Plate	(1)	51	06-82-1087	M3 x 12mm Pan Hd. ST T-10 Screw	(1)
7	06-14-2872	LH Bolt	(1)	52	42-14-2872	Metal Baffle	(1)
9	45-04-1090	M6 x 15mm Hex Socket Bolt	(2)	53	40-50-2872	Spring	(1)
12	-----	Bottom Die	(1)	54	05-88-1200	M4 x 16mm Pan Hd. ST T-20 Screw	(8)
13	42-50-2872	Cam	(1)	55	-----	Left Handle Halve - Cover	(1)
14	-----	Top Die	(1)	57	45-88-2890	Washer	(1)
15	43-44-0365	Gasket	(1)	58	12-20-2872	Service Nameplate	(1)
16	45-60-2872	Arm Support	(1)	59	42-55-2872	Blow Molded Carrying Case	(1)
17	45-88-2872	Washer	(1)	80	42-92-2872	Cover Kit	(1)
18	05-55-2872	M16 LH Hex Nut	(1)	81	43-04-2872	Die Kit	(1)
19	06-83-2872	Set Screw	(1)	82	31-44-2872	Handle Service Kit	(1)
20	-----	Logo Plate	(1)	83	45-72-2872	Trigger Kit	(1)
21	-----	Right Handle Halve - Support	(1)	84	14-20-2872	Electronics Assembly	(1)
22	45-96-2872	M5 Allen Key	(1)	85	16-01-2872	Rotor Assembly	(1)
23	34-40-4480	O-Ring	(1)	86	14-30-2872	Gearcase Assembly	(1)
24	40-50-0024	Spring	(1)	87	14-30-1025	Rear Gearcase Assembly Kit	(1)
25	-----	Switch Trigger	(1)	88	42-09-2872	Arm/Roller Assembly Kit	(1)
26	06-82-2872	M3 x 10mm Pan Hd. T-10 Screw	(2)				
27	06-82-0062	M3 x 8mm Pan Hd. ST T-10 Screw	(1)				

WIRING



Install the electronics assembly as shown.
Route wires around screw bosses and into wire traps.
Be sure all components are seated
squarely and firmly in place.
Be sure there is no interference when
installing the housing cover.



Prior to installing the electronics assembly into the
housing support, place grounding terminal over screw
boss as shown. Route ground wire, removing as much
slack as possible. Be sure wire is pressed firmly to the
back of the wire traps.

**AS AN AID TO REASSEMBLY, TAKE NOTICE OF WIRE ROUTING AND POSITION
IN WIRE GUIDES AND TRAPS WHILE DISMANTLING TOOL.**

**BE SURE THAT ALL COMPONENTS OF THE ELECTRONICS KIT ARE SEATED
FIRMLY AND SQUARELY IN THE HANDLE RECESSES.**

**AVOID PINCHED WIRES, BE SURE THAT ALL WIRES AND SLEEVES ARE
PRESSED COMPLETELY DOWN IN WIRE GUIDES AND TRAPS.**

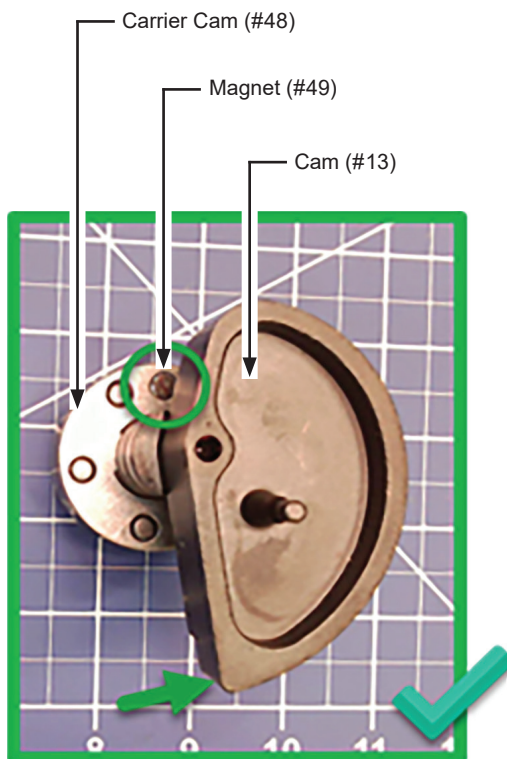
**PRIOR TO INSTALLING THE HANDLE COVER ONTO THE HANDLE SUPPORT,
BE SURE THAT THERE ARE NO INTERFERENCES.**

CARRIER CAM ASSEMBLY

Correct Carrier Cam Assembly

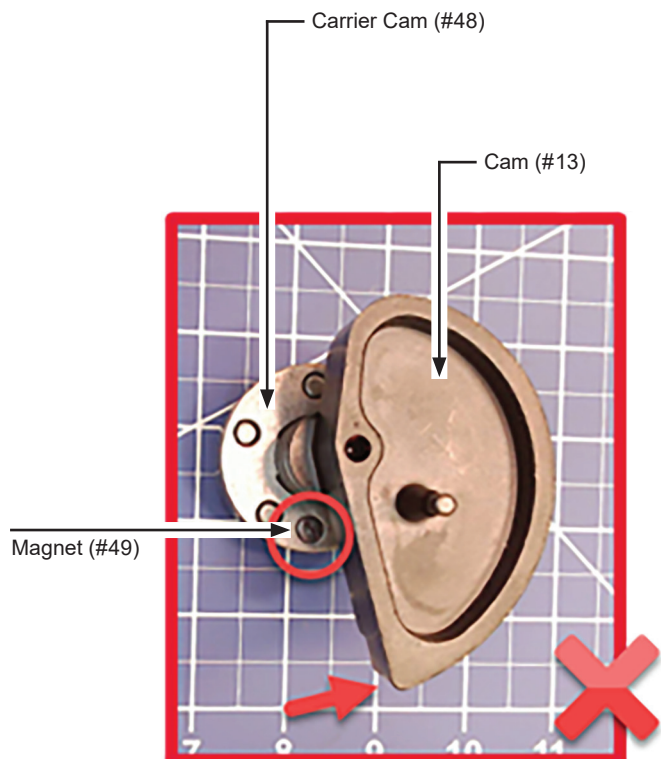
The magnet and the sharper end of the cam should be in opposite direction as shown in the image.

NOTE - If installed incorrectly, the tool will only complete a partial cut.



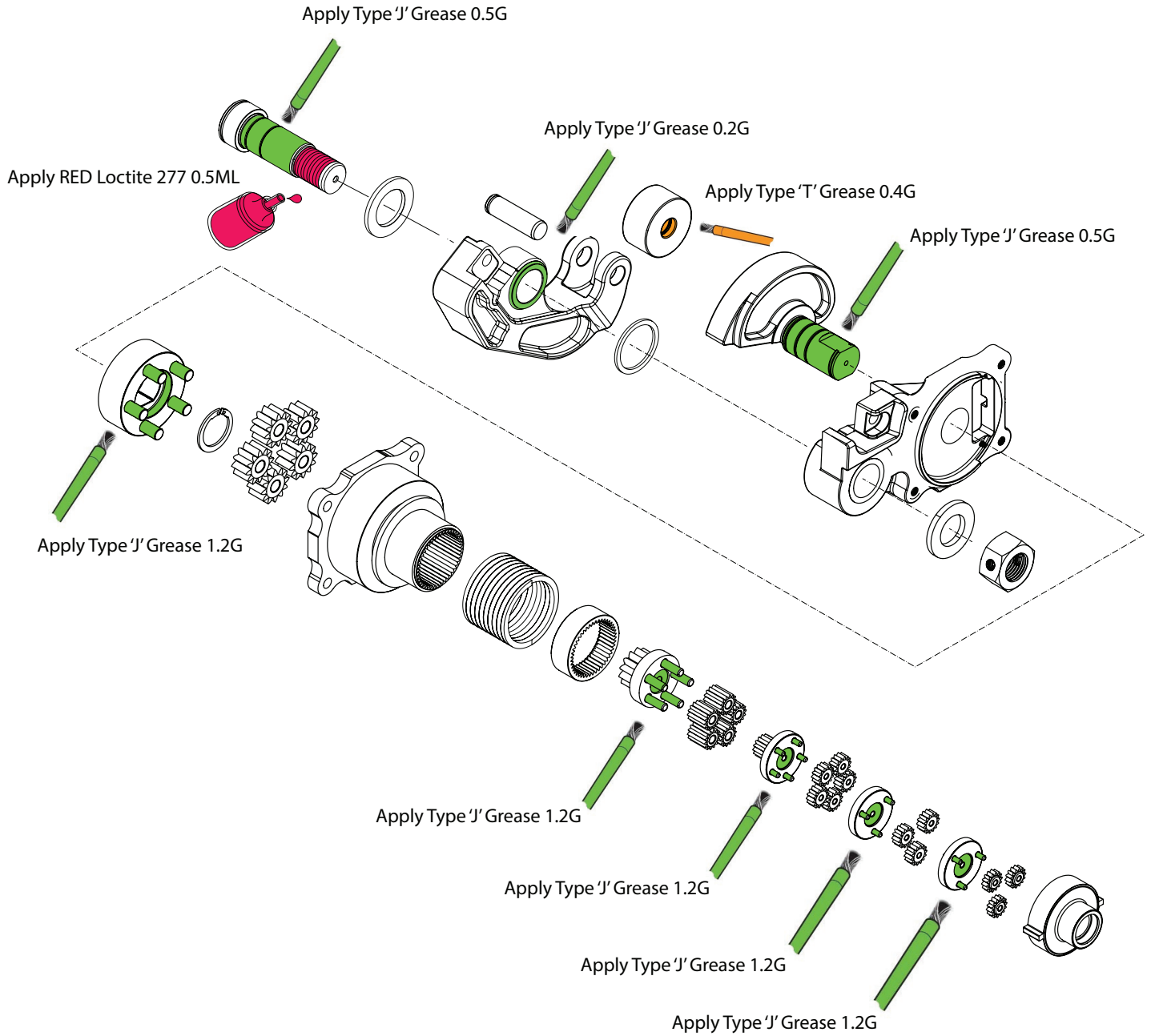
CORRECT




The magnet is on the opposite end from the pointed end of the cam. This is the correct position.



INCORRECT

LUBRICATION



-  = Type 'J' Grease 48-08-4220
-  = 277 Red Loctite 44-22-0050
-  = Type 'T' Grease 49-08-4260